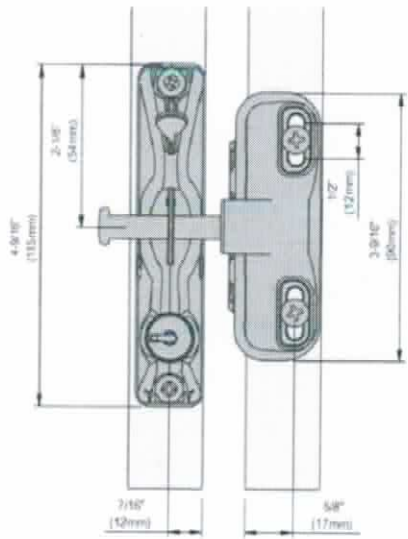
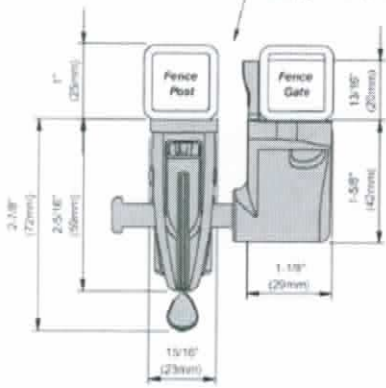


Model: LLAA

Min. gap between fence post & gate frame is 3/8" (10mm)
 Max. gap 1-1/16" (27mm)



is shown on MIN Post sizes (1"x1")